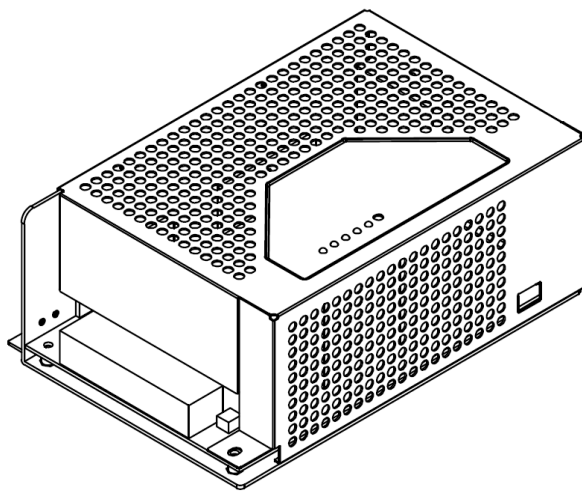




BATTERY CHARGER

CHR-26168A



TEL : 886-4-2238-0698

FAX : 886-4-2238-0891

Web Site : <http://www.monicon.com.tw>

E-mail : sales@monicon.com.tw

Copyright © 2007 Monicon Instruments Co., Ltd. All right reserved. Contents in this publication may not be reproduced in any form without the expressed written permission of Monicon Instruments Co., Ltd

Precaution



Warning

Warning :

This manual contains important instructions that should be followed during installation and maintenance.

1. In case of any dangers happened, please do not expose the charger to water and dust or any will cause the charger overheated.
2. This charger can connect the AC power and DC power steadily.
3. Please read the instructions & warning before use the charger.
4. Please do not use any unknown accessories in case of any danger may caused.
5. Please do not take parts the charger yourself in case of any danger may caused.
6. Please remove the AC & DC power connection first when the charger need to be cleaned.
7. Please do not use the charger anymore after any damages happened in charger to prevent any danger form happened.
8. Please use good condition and standard wire to connect the battery and charger in case of any danger may happened.
9. When you connect with the AC end, please wait 10 seconds later then connect to lead acid battery. (This is warm start)
10. Battery voltage must bigger than it' s lower limit otherwise the charger will stop to charge.

Installation :

Installation Conditions

Condition	Contents
Clean	Please keep the charger from any contaminations in case any malfunctions may caused.
Cool & Windward	Please keep the charger cool and windward. The suggestion ambient temperature is 0°C~30°C.
Dry	Please keep the charger form rain, water and any liquid in case of any danger may happened.
Stay away form tinder	Please keep the charger away gasoline and anything easy on fire in case of any danger may caused.
Close to AC & C/P End	Please do not use the extended line as possible as you can.
Close to Battery End	Please use the standard wire in case of any danger may caused.



1. Specifications

AC Input Voltage:

102 VAC - 138 VAC

Frequency : 50/60HZ

DC power output adjustable range (Please do not adjust before contacting Monicon Instruments for confirmation.)

168W Series Charger

Model No.	26168A
Specification	120V / 24V, 7A
Input Voltage	102~138 VAC
Output Voltage Adjustable range (Load=0A)	22.6~28V±0.1V (Load=0A)
Default Voltage	26.6V±0.1V
Setting rotation of Fan	Heat Sink > 50°C
Protections	
O.C.P	8.5A~9.5A
Maximum Load Current	24V, 7A
Minimum Battery Voltage	6V
Efficiency	X > 75%

Charge : Floating way

Protection: O.C.P /Output +, - Pole reverse connection /Output Shortage

Efficiency: Full load > 75 %

Working Temperature: -30~ 70 °C

Storage Temperature: -40~120 °C

Relative Moisture : Max. 90 %

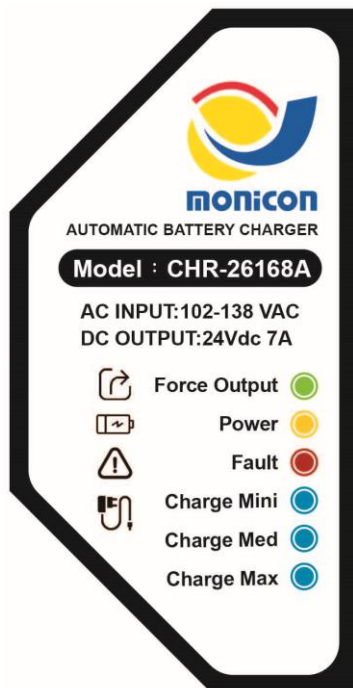
Dimensions: 183 mm(L)* 117 mm (W) * 70 mm (H)

Weight : 1180 g ±10 g

2. Operation

- 2.1 Connect to AC source on N & L. Charger outputs when the battery is connected.
 - Turn off the AC power first before connecting to the charger.
 - Connect the + and - from the battery to the + and - output terminals.
 - Connect the charger to AC power then turn on the AC.
- 2.2 CHR-26180A detects the battery automatically. The user doesn't need to turn off the charger or disconnect the charger when the battery is fully charged.
- 2.3 CHR-26180A is equipped with short circuit & reverse protection.

3. Functions



Force Output : Press this button to allow the charger to output power without a battery.

Power: Represents the AC power input is normal

Fault: The battery is in power saving mode or the charger is faulty

Charge Mini: Charge at low current

Charge Med: Charge at medium current

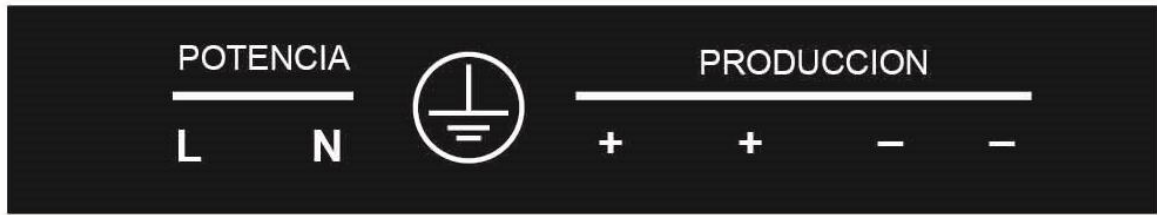
Charge Max: Charge at high current

Smart Charge

Power saving mode: Current < 0.5A for 10 seconds

Power resumes: DC voltage < 25V

4. Wireings



5. Dimensions

